

**ZL73J Health Monitoring Smartwatch
with Bluetooth Calling - 1.39"**



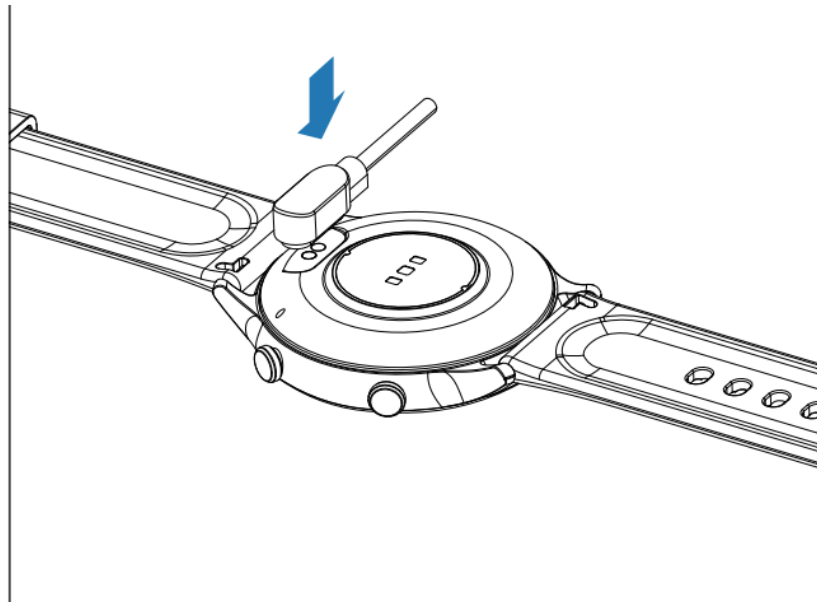
Downloading the App

Scan the following QR code, download and install the App.



Charging and Active

Charging the device to active before the first time using; To charge your device, plug the charging cable into the adapter or USB port on your computer.



Pairing

1. Open the App and set up your profile
2. Go to the [Device] , Click Add a [Device]
3. Choose your device on the scanning list
4. Finish

The MAC address on the “Setting”-”About” page could help you identify your device on the scanning list.

Use the Touch Screen



Control Center



Swipe Down
Swipe Up



Messages



Swipe Down
Swipe Up



Menu

Swipe Left, Swipe Right



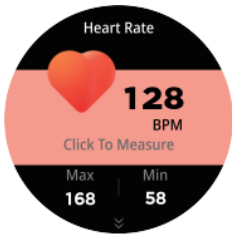
Activity Center

Swipe Left, Swipe Right

Smart Watch Features



After connecting the smart Watch to the phone, you can use the watch to dial to control the phone for making calls and answering the phone calls. You can also view the call history of the watch. You need to keep the connection between the watch and the phone stable when using the Phone Call function.



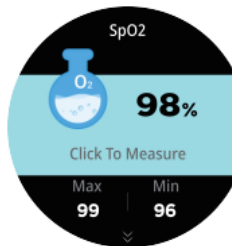
Heart Rate Test

The Smart Watch could record your heart rate all day. You also could tap on the page to start measuring heart rate.



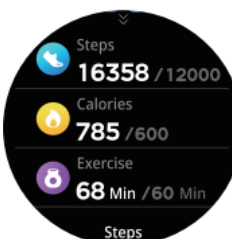
Blood Pressure Test

Tap on the blood pressure page to start measuring your blood pressure. On the blood pressure page, it can show the blood pressure measured data of the last times.



SpO2 Test

Tap the SpO2 page to start measuring your SpO2. On the SpO2 page, It can show the SpO2 measured data of the last times.



Sports

Smart Watch automatically tracks Steps taken on the screen. **NOTE:** Your movement stats reset to zero at midnight.



Training

Tap the training icon on the menu to start a new training measure recording, there are 123 sport modes to be chosen. The last training recording will be shown on the training page.



Sleep

If you keep wearing a Smart Watch in your sleep , it can provide the hours slept and quality of sleep stats on both the screen and the APP. *NOTE:* Sleep stats reset to zero at 8:00 pm.



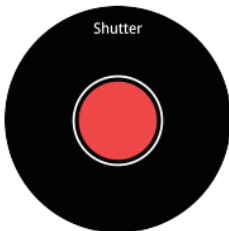
Weather

It could show the weather info of current and tomorrow on the weather page. Weather info is synced after connecting with the APP, it will not be updated after a long disconnection.



Messages Reminder

The device can sync incoming notifications from Twitter, Facebook, Whatsapp, Instagram etc. Recently 5 messages can be stored. *Note:* You can switch on/off the incoming notification in the APP.



Remote Shutter

After connecting the device, you can remote control the camera on your phone.



Other Features

Other features include stopwatch, alarm, timer, brightness, mute on/off, theater mode, factory reset, power off and about.



Remind to Move

The device will vibrate to remind you to relax after 1 hour sitting.

Note: You can switch on/off the feature in the APP.



Remind to Drink

The smart watch will remind you “Time to Drink Some Water” at the planned drinking time.

Note: You can set the feature in that APP.

Getting to Know Your Device

1. Using in Wet Conditions

Your device is water-resistant, which means it is rain-proof and splash-proof and can stand up to even the sweatiest workout.

NOTE: Do not swim with your Smart Bracelet. We also don't recommend showering with your wristband; though the water won't hurt the device, wearing it 24/7 does not give your skin a chance to breathe. Whenever you get your bracelet wet, dry it thoroughly before putting it back on.

2. Using Quick View

With Quick View you can check the time or the message from your phone on your Smart Bracelet without tapping. Just turn your wrist towards you and the time screen will appear for a few seconds.

General Info & Specifications

1. Environmental Conditions

Operating temperature: 14°F to 122°F (-10° to 50°)

Non-operating temperature: -4°F to 140°F (-20° to 60°)

2. Size

Fits a wrist between 5.5 and 7.7 inches in circumference.

3. Disposal and Recycling

Please kindly be aware that it is the consumer's responsibility to properly dispose and recycle Smart Bracelet and accompanying components. Do not dispose of Smart Bracelet with common household waste, the Smart Bracelet unit is considered electronic waste and should be disposed of at your local electronic equipment collection facility. For more information, please contact your local electronic equipment waste management authority or the retailer where you bought the product.