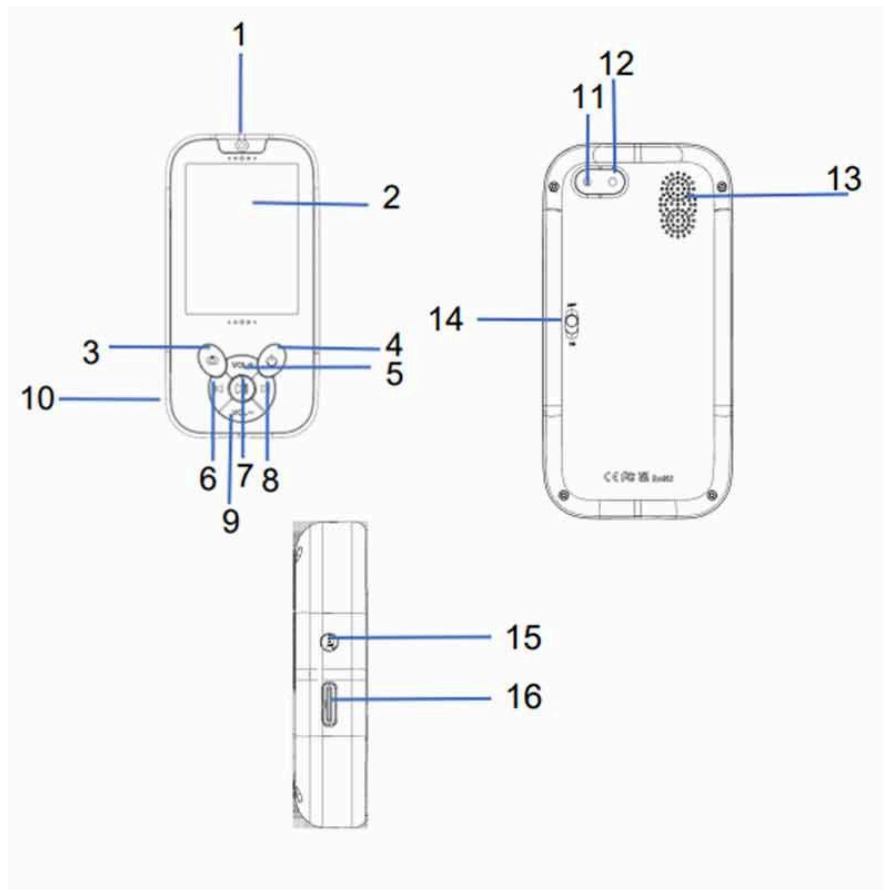


# Unicorn Kids Smart Toy with Camera, 13 Games, Music Player



## Product Structure



1. Front camera
2. Screen
3. Photo shooting shortcut
4. Power
5. Volume up
6. Left/previous song
7. Pause/Confirm
8. Right/Next Song
9. Volume down
10. Reset
11. Back camera
12. Flash bulb
13. Speaker
14. Main Switch
15. Headphone jack
16. Charging hole/data transfer hole



- 1.Photo shooting
- 2.Photo album
- 3.Record Video
- 4.Play video
- 5.MP3
- 6.Sound recordings
- 7.Alarm clock
- 8.Calculators
- 9.Calendar
- 10.Flash bulb
- 11.Basic knowledge
- 12.Game
- 13.Setting

## Button Functions

- 1.Front camera - front viewfinder
- 2.Screen - 2.8-inch color display
- 3.Photo shooting shortcuts (Press the shortcut button to quickly enter the camera interface, press the shortcut button or music play button to take pictures)
- 4.Power supply (1/Power switch; 2/Exit button in menu mode)
- 5.Volume up - Increase the volume
- 6.To the left/previous song (You can control the screen to swipe to the left and switch the previous song when playing music)
- 7.Pause/Confirm (Pause or start to photo/video shooting/music playing)
- 8.Right/Next Song (You can control the screen to swipe to the right and switch to the next song when playing music)
- 9.Volume down - Decrease the volume
- 10.Reset - Restore Factory Settings
- 11.Back camera - viewfinder (of a camera etc)
- 12.Flash bulb - You can use the switch to control the flash on/off
- 13.Speaker - Play video or audio files with sound
- 14.Main Switch - Turn the "Main Switch" off, can cut off the power to make the camera in a state of power off completely. When the product is on standby time, you can pull down the "Main Switch" button and keep it power off completely. The power button only can make this product in a dormant state.
- 15.Headphone jack - Connect headphones to transmit audio
- 16.Charging hole/data transfer hole (1/For data transfer when connected to a PC ; 2/Used to provide power or battery charging when connected to an external power source)

## Basic operating instructions for photo shooting/video recording

1. On/Off - Long press the power button to turn it on; Press and hold the power button again to turn it off.
2. Video Recording Mode - Short press the "Play and Pause" button to start recording, and short press it again to pause the recording; the time is jumping to indicate that the recording is in progress.
3. Photo Shooting Mode - Short press the "Photo/Video" button to start taking pictures.
4. Game mode - Select the game by swiping left and right on the screen, then tap the game icon to enter the game. Short press the shutdown button to exit the game.
5. Switch wallpaper - With the screen on the main page, swiping the screen to the left or right to switch wallpapers.

USB Connect - Connect the product to your computer with a USB cable to read videos or photos and upload them to your computer.

## Battery usage



There are three ways to charge the battery:

1. Charging with power adapter
2. Charging with a USB cable connected to a computer
3. Charging from the car's power supply

If the device shuts down due to inappropriate logging, press briefly again to stop logging.

Press the reset button and then turn the camera on again. The problem will be solved.

## **Specification**

Display - 2.8-inch color display

Camera lens - Fixed lens at 100° angle

Charging Voltage - DC-5V

Photo format - JPG

Language - English, French, Italian, German, Spanish, Portuguese

Video format - AVI

Video resolution - 1080P: 1920x1080 / 720P: 1280x720

Frequency - 50HZ/60HZ

Games - Crawl 2048, Basketball shooting, Pinball hit bricks, Car grab goods, Mario eat gold, Ultimate racing, Bee war, dress up, rock-paper-scissors game, ping-pong, Airplane Wars, Elimination game, Cross the street, Shake fun, Sweet together

Photo resolution - 48M, 20M, 18M, 16M, 8M, 2M